

■ MODEL NUMBER

Part Number	PFC	P/out	P/peak	80plus	Vin
MN-P550-2018	A/PFC	550.0W	715.0W	86+	100-240Vac

■ FEATURES

- Dual Forward Converter design architecture
- Active PFC, power factor value  $\geq 0.99$
- conform to intel 2013 new standard
- Support Intel Core i5 & i7 & Haswell series CPU
- Support AMD Athlon 64x8 & FX series CPU
- Multiple protection, OVP/UVP/SCP/OCP/OPP
- 90~264Vac wider AC input range to cope with voltage instability
- Support nVIDIA SLi & ATi Crossfire multi-GPU VGA cards
- Meet Eup 2013
- $\geq 82\%$  high efficiency 50%loads
- Dual Rails +12V Output
- Super Low Ripple & Noise
- Intelligent Fan Control
- High Quality capacitors



CASE:150\*140\*86

■ GENERAL SPEC.

Hold-up Time: 17mS at 115Vac/60Hz or 230Vac/50Hz  
 Dimensions: 150\*140\*86(mm) 12CM FAN(CASE color can choose)  
 High reliability MTBF :  $\geq 100,000$  at 25 degree celsius  
 Output Rise Time: 0.1~20mS

■ ENVIRONMENTAL SPEC.

Operating Temperature: 0~45°C  
 Storage Temperature : -20~70°C

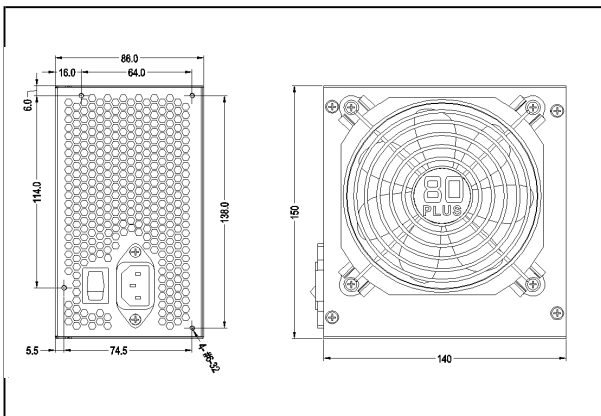
■ OUTPUT CURRENT CAPACITY

Voltage	+5V	+3.3V	+12V1	+12V2	-12V	+5Vs
Regulation	$\pm 5\%$	$\pm 5\%$	$\pm 5\%$	$\pm 5\%$	$\pm 10\%$	$\pm 5\%$
Min Load	0.20A	0.20A	0.50A	0.05A	0.00A	0.10A
Max Load	22.00A	22.00A	30.00A	30.00A	0.50A	3.00A
Peak Load	28.60A	28.60A	36.00A	36.00A	---	---
Ripple & Noise	50mv	50mv	120mv	120mv	150mv	50mv
Combined	140.0W		496.0W		6.0W	15.0W

■ SAFETY: CB CE CCC BSMI GOST



■ OUTLINE DRAWING.



■ INPUT SPEC.

Input Voltage Range: 90~264Vac  
 Input Frequency Range: 47~63Hz  
 Input Current: 10A MAX at 90Vac  
 Leakage Current: 3.5mA at 264V  
 PFC (Harmonic): Meet IEC6100-3-2 Class D  
 EMI/RFI: CISPR 22 Class B

■ OUTPUT SPEC.

Rated Output Power: 550.0W  
 Peak Output Power: 715.0W  
 Efficiency: 82%+@20%, 86%+@50%, 82%+@100% loads  
 OVP: +12V:15.5V, +5V:6.5V, +3.3V:4.3V  
 UVP: +12V:9.5V, +5V:3.7V, +3.3V:2.4V  
 OCP: +12V1/45A, +12V2/45A, +3.3V/38A, +5V/38A  
 OPP: 742.5W ~ ~ ~ 825.0W  
 SCP: Latch Off All Main Outputs Reset by Cycling On/Off Control or Ac Power

■ CABLING CONNECTOR

	ATX20+4PIN	1PCS		HDD 4PIN	4PCS
	ATX12V 4+4PIN	1PCS		SATA 5PIN	7PCS
	PCI-E 6+2PIN	2PCS		FDD 4PIN	1PCS