

■ MODEL NUMBER

Part Number	PFC	P/out	P/peak	80plus	Vin
MN-P400-2016-AL	A/PFC	400.0W	520.0W	85+	100~240Vac

■ FEATURES

- Dual Forward Converter design architecture
- Active PFC, power factor value ≥ 0.96
- conform to intel 2013 new standard
- Support Intel Core i5 & i7 series CPU
- Support AMD Athlon 64x4 CPU
- Multiple protection, OVP/UVP/SCP/OCP/OPP
- 90~264Vac wider AC input range to cope with voltage instability
- Meet Eup 2013
- $\geq 82\%$ high efficiency 50%loads
- Dual Rails +12V Output
- Super Low Ripple & Noise
- Intelligent Fan Control
- High Quality capacitors



CASE:150*140*86

■ GENERAL SPEC.

Hold-up Time: 17mS at 115Vac/60Hz or 230Vac/50Hz
 Dimensions: 150*140*86(mm) 12CM FAN(CASE color can choose)
 High reliability MTBF : $\geq 100,000$ at 25 degree celsius
 Output Rise Time: 0.1~20mS

■ ENVIRONMENTAL SPEC.

Operating Temperature: 0~45°C
 Storage Temperature : -20~70°C

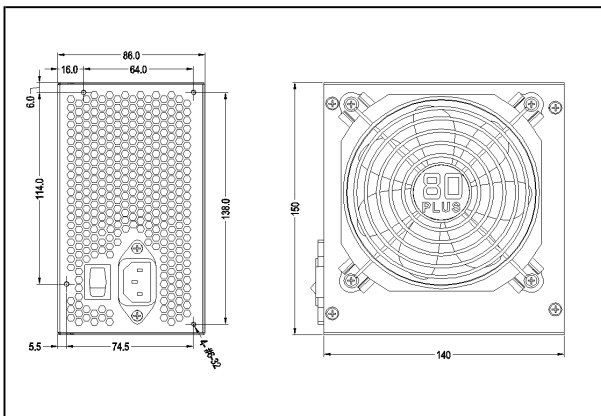
■ OUTPUT CURRENT CAPACITY

Voltage	+5V	+3.3V	+12V1	+12V2	-12V	+5Vs
Regulation	$\pm 5\%$	$\pm 5\%$	$\pm 5\%$	$\pm 5\%$	$\pm 10\%$	$\pm 5\%$
Min Load	0.20A	0.50A	0.50A	0.05A	0.00A	0.10A
Max Load	20.00A	21.00A	20.00A	20.00A	0.50A	3.00A
Peak Load	26.00A	27.30A	26.00A	26.00A	---	---
Ripple & Noise	50mv	50mv	100mv	100mv	150mv	50mv
Combined	120.0W		330.0W		6.0W	15.0W

■ SAFETY: CB CE CCC BSMI GOST



■ OUTLINE DRAWING.



■ INPUT SPEC.

Input Voltage Range: 90~264Vac
 Input Frequency Range: 47~63Hz
 Input Current: 8A MAX at 90Vac
 Leakage Current: 3.5mA at 264V
 PFC (Harmonic): Meet IEC6100-3-2 Class D
 EMI/RFI: CISPR 22 Class B

■ OUTPUT SPEC.

Rated Output Power: 400.0W
 Peak Output Power: 520.0W
 Efficiency: 82%+@20%, 85%+@50%, 82%+@100% loads
 OVP: +12V:15.5V, +5V:6.5V, +3.3V:4.3V
 UVP: +12V:9.5V, +5V:3.7V, +3.3V:2.4V
 OCP: +12V1/30A, +12V2/30A, +3.3V/31A, +5V/30A
 OPP: 540.00W ~~~ 600.00W
 SCP: Latch Off All Main Outputs Reset by Cycling On/Off Control or Ac Power

■ CABLING CONNECTOR

	ATX20+4PIN	1PCS		HDD 4PIN	3PCS
	ATX12V 4+4PIN	1PCS		SATA 5PIN	5PCS
	PCI-E 6PIN	1PCS		FDD 4PIN	1PCS